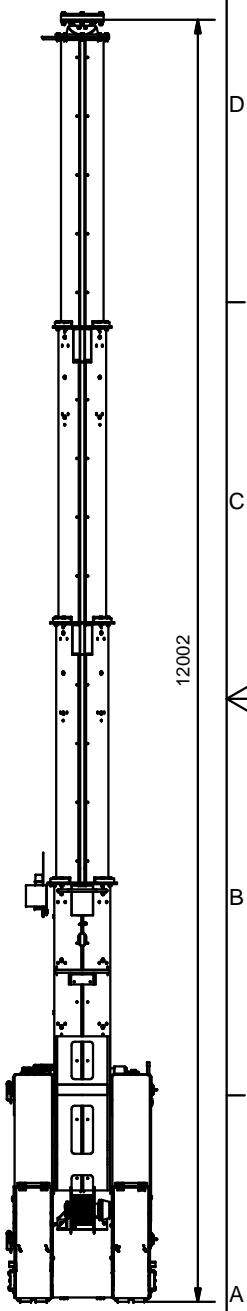
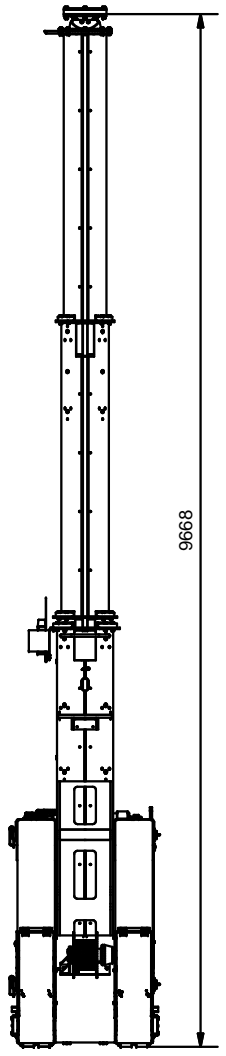
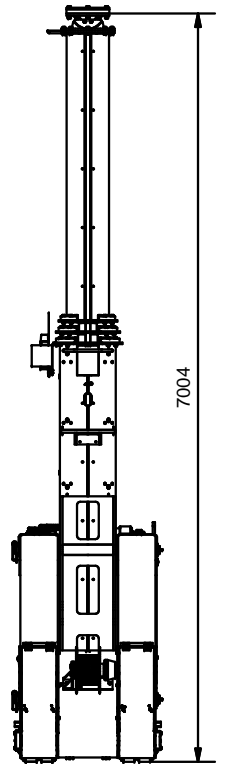
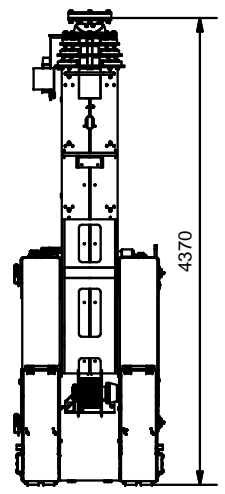
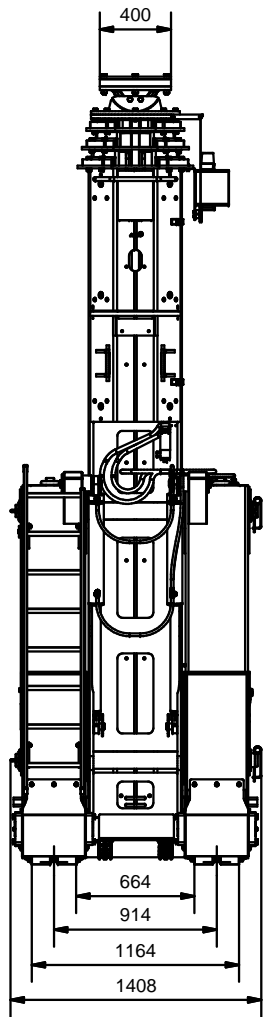
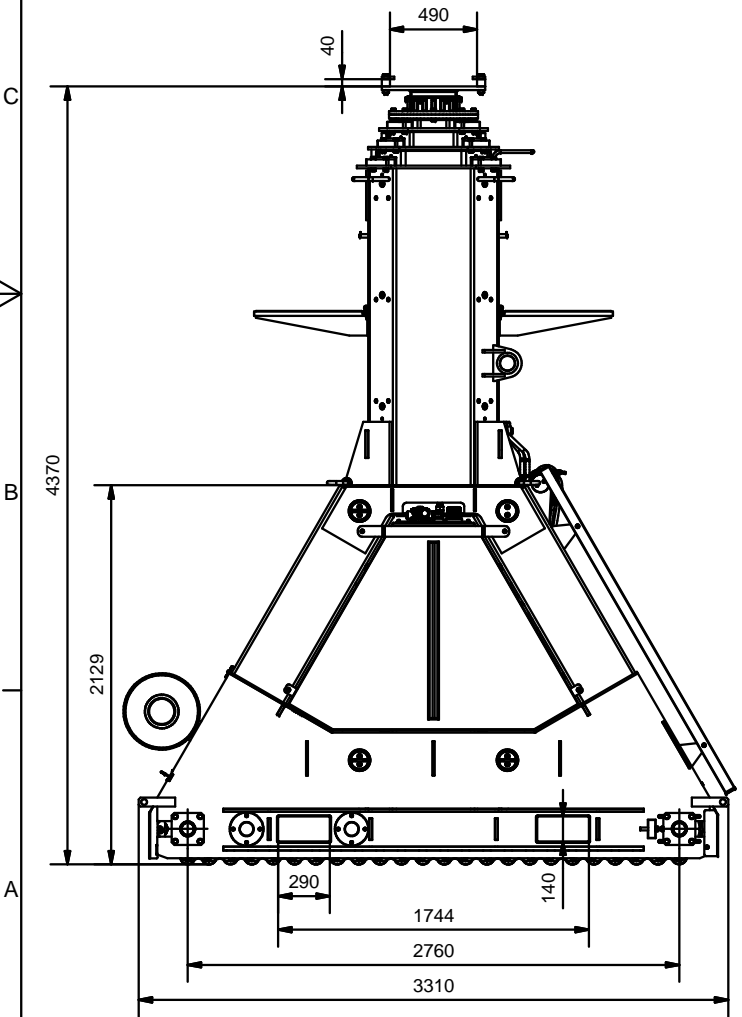
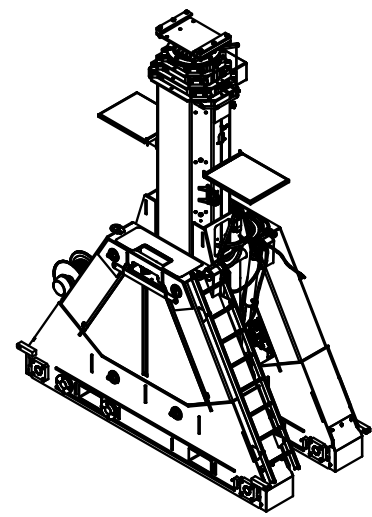
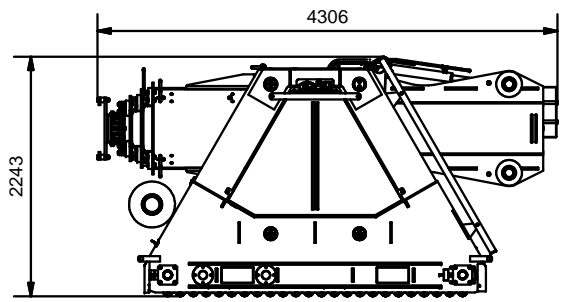


Features SBL1100

Safe Work Load Stage 1:	2621 kN	(589 kips)
Safe Work Load Stage 2:	1689 kN	(380 kips)
Safe Work Load Stage 3:	945 kN	(212 kips)
Self Weight (incl. oil):	11950 kg	(26345 lbs)

Transport Dimensions



OPAALSTRAAT 44, 7554 TS HENGLO HOLLAND
 PO BOX 421, 7550 AK HENGLO HOLLAND
 TELEPHONE 074-2422045 FACSIMILE 074-2430338
ENERPAC
 COPYRIGHTS RESERVED

3rd ANGLE PROJECTION
 Model Number: **SBL1100**
 Drawing Number: **02518.50.00.00**

Main Assembly Number: **02518.01.00.00**
 REV: **0** DATE: **31-10-2013** SCALE: **1:30** FORM: **A3**